



info@acrow.co.za

www.acrow.co.za



# RETAIL GONDOLA



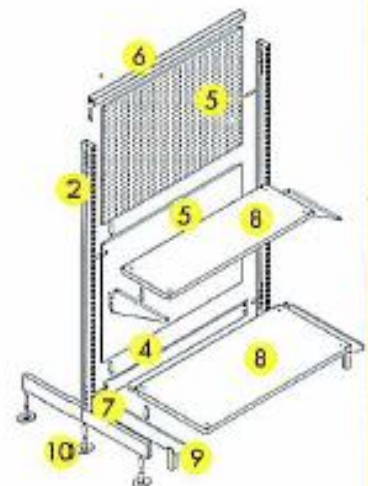
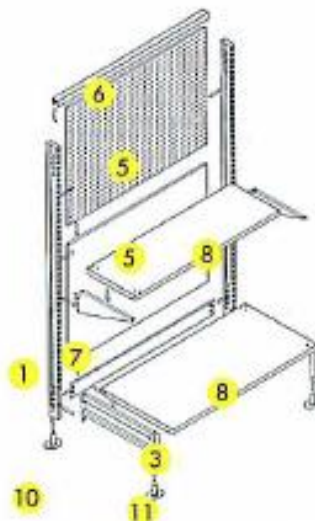
The ACROW Commercial gondola shelving is a light to medium duty clip in boltless shelving system suitable for merchandising small to medium product and used by family grocers, supermarkets, pharmacies, garages, and many more.

- This system is available in various sizes and capacities to suite your requirement
- Add on accessories available for display purposes
- Customizable solutions available



## Components Parts

- 1 Gondola Uprights
- 2 D/S or S/S Tube Gondola Upright
- 3 O8 Foot
- 4 Gondola clip in Spacer
- 5 Plain or Perforated Infill Panel
- 6 Clip on Top Cover
- 7 Brackets
- 8 Commercial Shelf
- 9 Clip-in base foot
- 10 76 x 31 Insert & M12 Leveller
- 11 M10 Nylon Insert & Leveller



**HEAD OFFICE – Johannesburg:**  
 +27 11 824 1527  
 37 Dekema Road - P O Box 14217  
**WADEVILLE**  
 1422 – South Africa



**Cape Town:**  
 +27 21 905 0500

**Durban:**  
 +27 31 465 0377

**Acrow Italia:**  
 +39 0124 418 112

[www.acrow.co.za](http://www.acrow.co.za)